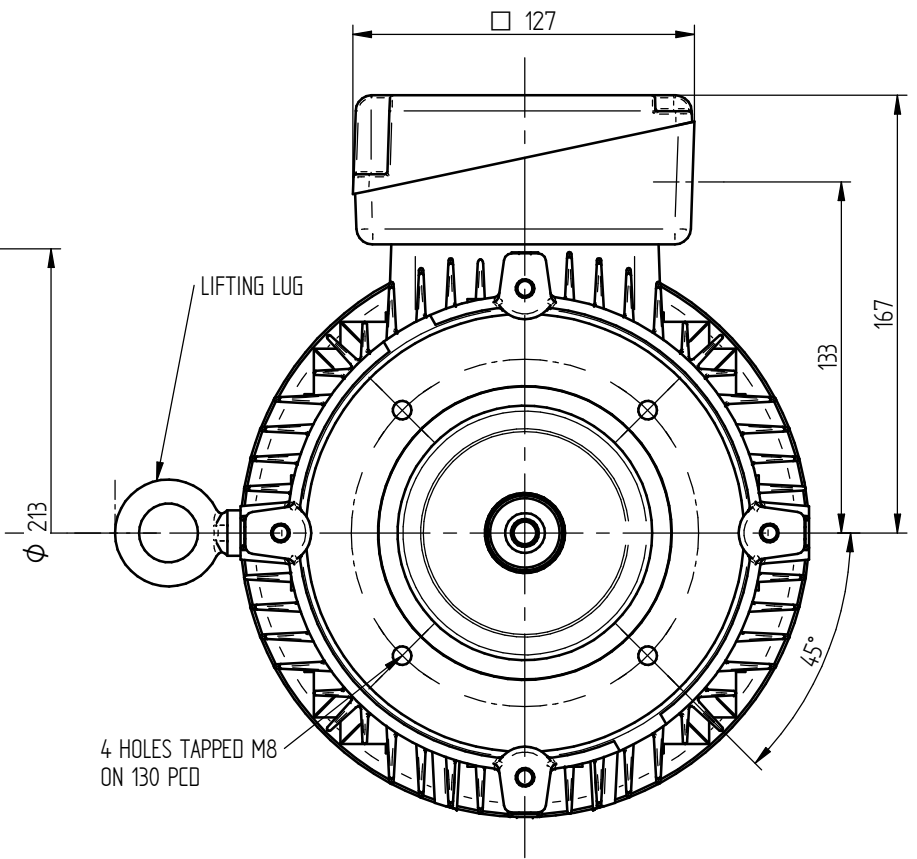


HOLE TAPPED M10x22
DEEP TO DIN332 FORM "D"

A-A
1:1



TERMINAL BOX POSITION:
 - CAN BE ARRANGED AT EITHER 9, 12 OR 3 O'CLOCK.
 - STANDARD TERMINAL BOX POSITION IS 12 O'CLOCK AS SHOWN.
 CONDUIT ENTRIES:
 - TERMINAL BOX CAN BE ROTATED AT 90° INTERVALS

ALL MOUNTING DIMENSIONS: ISO 2768-mK ACC TO EN 22768-1/2

ALL DIMENSIONS IN MILLIMETERS



FIRST ANGLE
PROJECTION

**BROOK
CROMPTON**

Produced by **Tamel** a company of **ATB**
ELECTRIC MOTORS Technology in Motion

SHEET SIZE: **A3**
TITLE: **OUTLINE DIMENSIONS DRAWING TOTALLY ENCLOSED FAN COOLED WP-DA112M FRAME C FACE MOUNTED MOTOR**

	NAME	DATE
DRAWN	SZ	25-04-19
CHECKED	RG	25-04-19
SCALE	1:2	

DRG. No.	WP-DA112M B14		
DRG. REF.			
REVISION:		DATE	