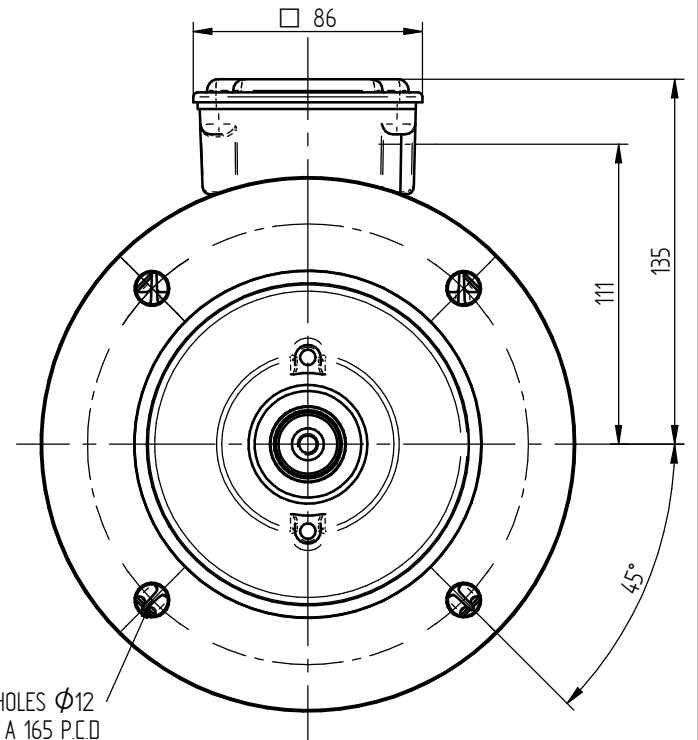


HOLE TAPPED M8x19
DEEP TO DIN332 FORM "D"

CABLE ENTRY:
1 x M20

EXTERNAL EARTH POSITION



TERMINAL BOX POSITION:
 - CAN BE ARRANGED AT EITHER 9, 12 OR 3 O'CLOCK.
 - STANDARD TERMINAL BOX POSITION IS 12 O'CLOCK AS SHOWN.
 CONDUIT ENTRIES:
 - TERMINAL BOX CAN BE ROTATED AT 90° INTERVALS

ALL DIMENSIONS IN MILLIMETERS



FIRST ANGLE
PROJECTION

**BROOK
CROMPTON**

Produced by **Tamel s.a.a** company of **ATB**

ALL MOUNTING DIMENSIONS: ISO 2768-mK ACC TO EN 22768-1/2

SHEET SIZE: **A3**
 TITLE: **OUTLINE DIMENSIONS DRAWING TOTALLY-ENCLOSED FAN-COOLED
 WP-DA90SX FRAME D FLANGE MOUNTED MOTOR**

	NAME	DATE
DRAWN	SZ	23-04-19
CHECKED	RG	23-04-19
SCALE	1 : 2	

DRG. No.	WP-DA90SX B5		
DRG. REF.			
REVISION:		DATE	