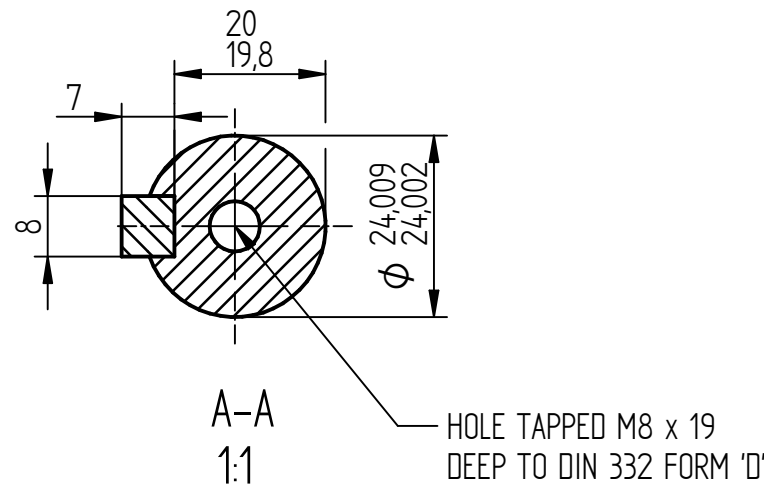
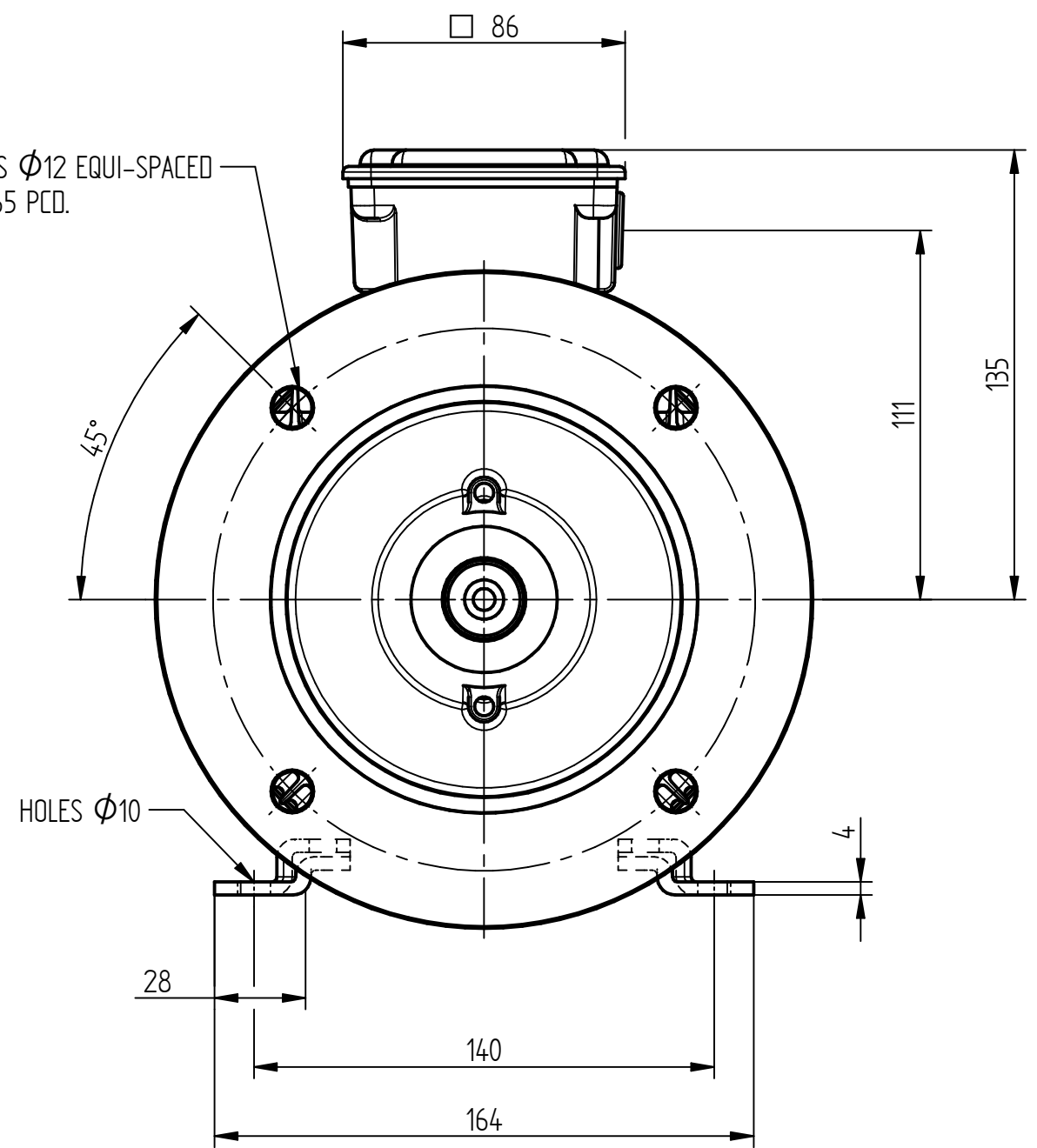


4 HOLES  $\phi 12$  EQUI-SPACED ON A 165 PCD.



**TERMINAL BOX POSITION:**  
 - CAN BE ARRANGED AT EITHER 9, 12 OR 3 O` CLOCK.  
 - STANDARD TERMINAL BOX POSITION IS 12 O`CLOCK AS SHOWN.  
**CONDUIT ENTRIES:**  
 - TERMINAL BOX CAN BE ROTATED AT 90° INTERVALS.

ALL MOUNTING DIMENSIONS: ISO 2768-mK ACC TO EN 22768-1/2

ALL DIMENSIONS IN MILLIMETERS

FIRST ANGLE PROJECTION

**BROOK CROMPTON**

Produced by ATB Tamek S.A. a company of **ATB**

DRG. No.	WP-DA90SX B35
DRG. REF.	
REVISION:	
DATE:	

SHEET SIZE  
A3

TITLE:  
 OUTLINE DIMENSION DRAWING TOTALLY ENCLOSED FAN COOLED WP-DA90SX FRAME D FLANGE AND FOOT MOUNTED MOTOR

	NAME	DATE
DRAWN	RG	26-04-19
CHECKED		
SCALE	1 : 2	