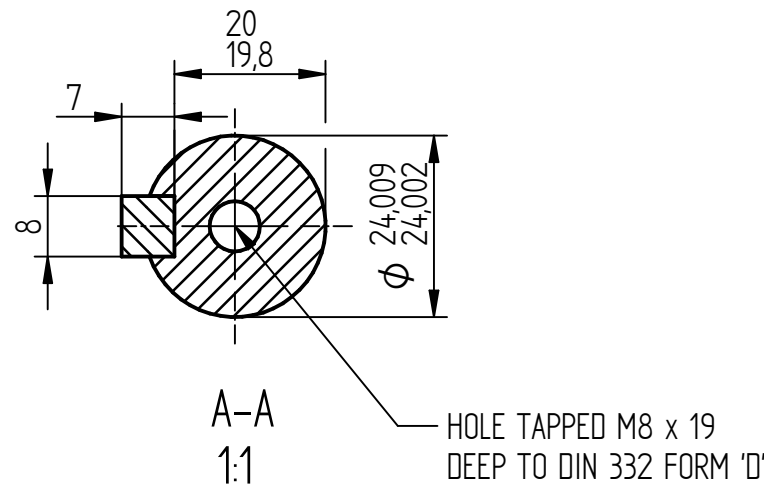
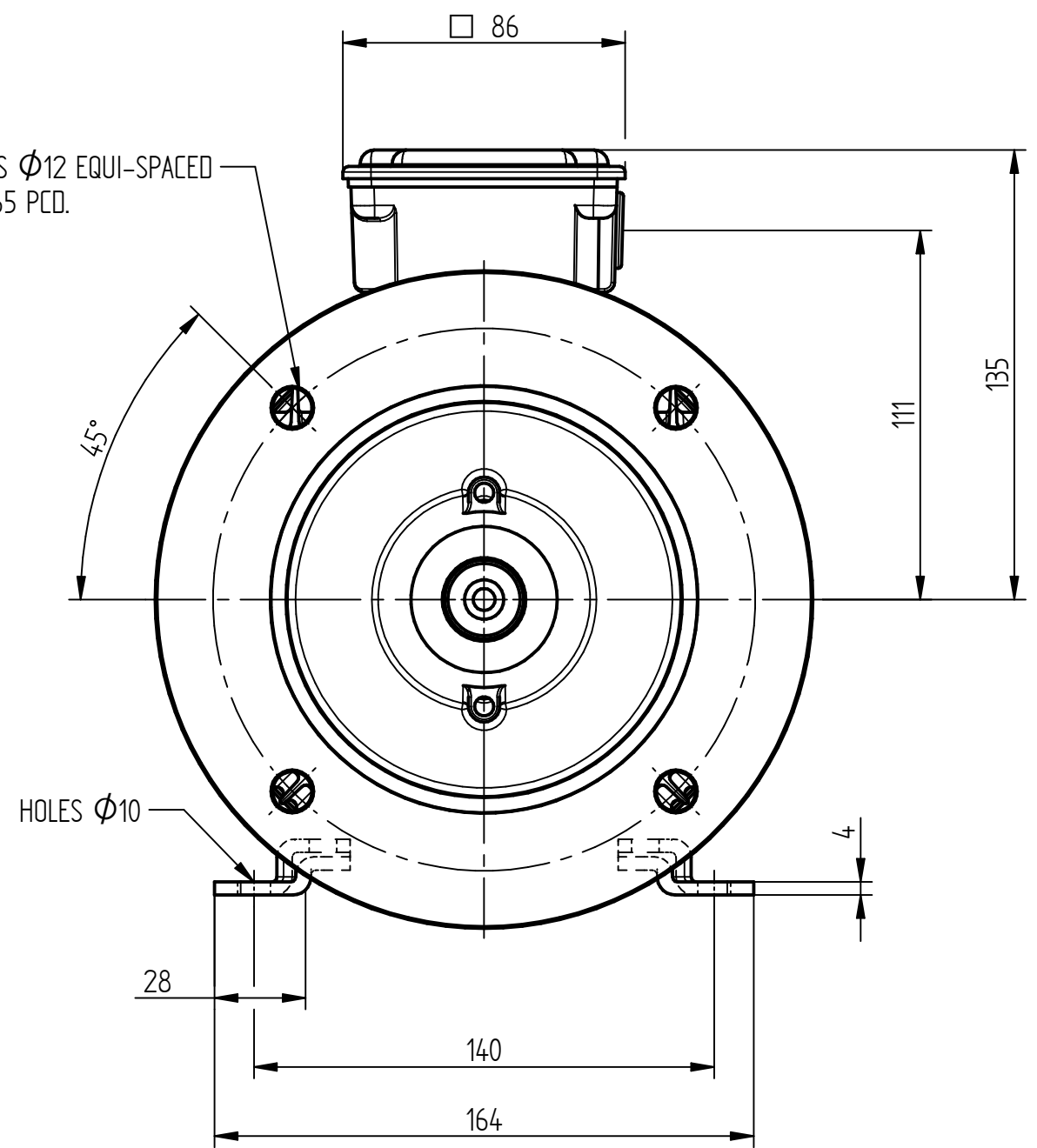


4 HOLES $\phi 12$ EQUI-SPACED ON A 165 PCD.



TERMINAL BOX POSITION:
 - CAN BE ARRANGED AT EITHER 9, 12 OR 3 O` CLOCK.
 - STANDARD TERMINAL BOX POSITION IS 12 O`CLOCK AS SHOWN.
CONDUIT ENTRIES:
 - TERMINAL BOX CAN BE ROTATED AT 90° INTERVALS.

ALL MOUNTING DIMENSIONS: ISO 2768-mK ACC TO EN 22768-1/2

ALL DIMENSIONS IN MILLIMETERS

FIRST ANGLE PROJECTION

BROOK CROMPTON

Produced by ATB Tamek S.A. a company of **ATB**

DRG. No.	WP-DA90LX B35
DRG. REF.	
REVISION:	
DATE:	

SHEET SIZE
A3

TITLE:
OUTLINE DIMENSION DRAWING TOTALLY ENCLOSED FAN COOLED WP-DA90LX FRAME D FLANGE AND FOOT MOUNTED MOTOR

	NAME	DATE
DRAWN	RG	26-04-19
CHECKED		
SCALE	1 : 2	