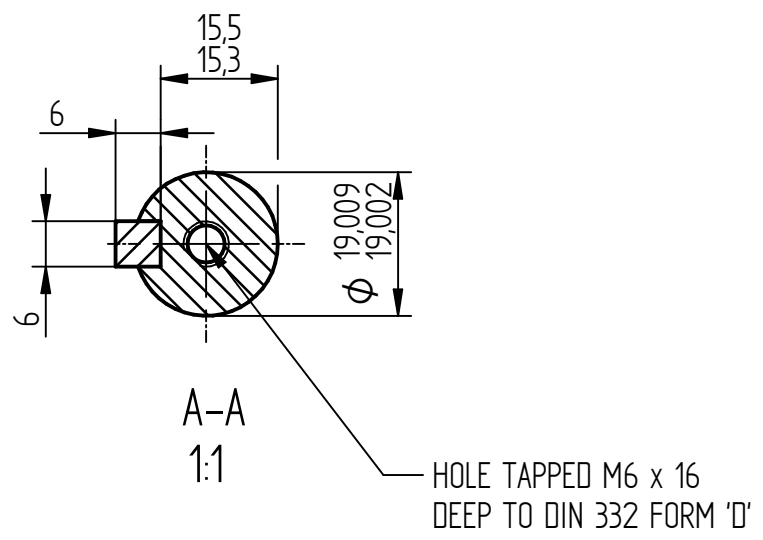
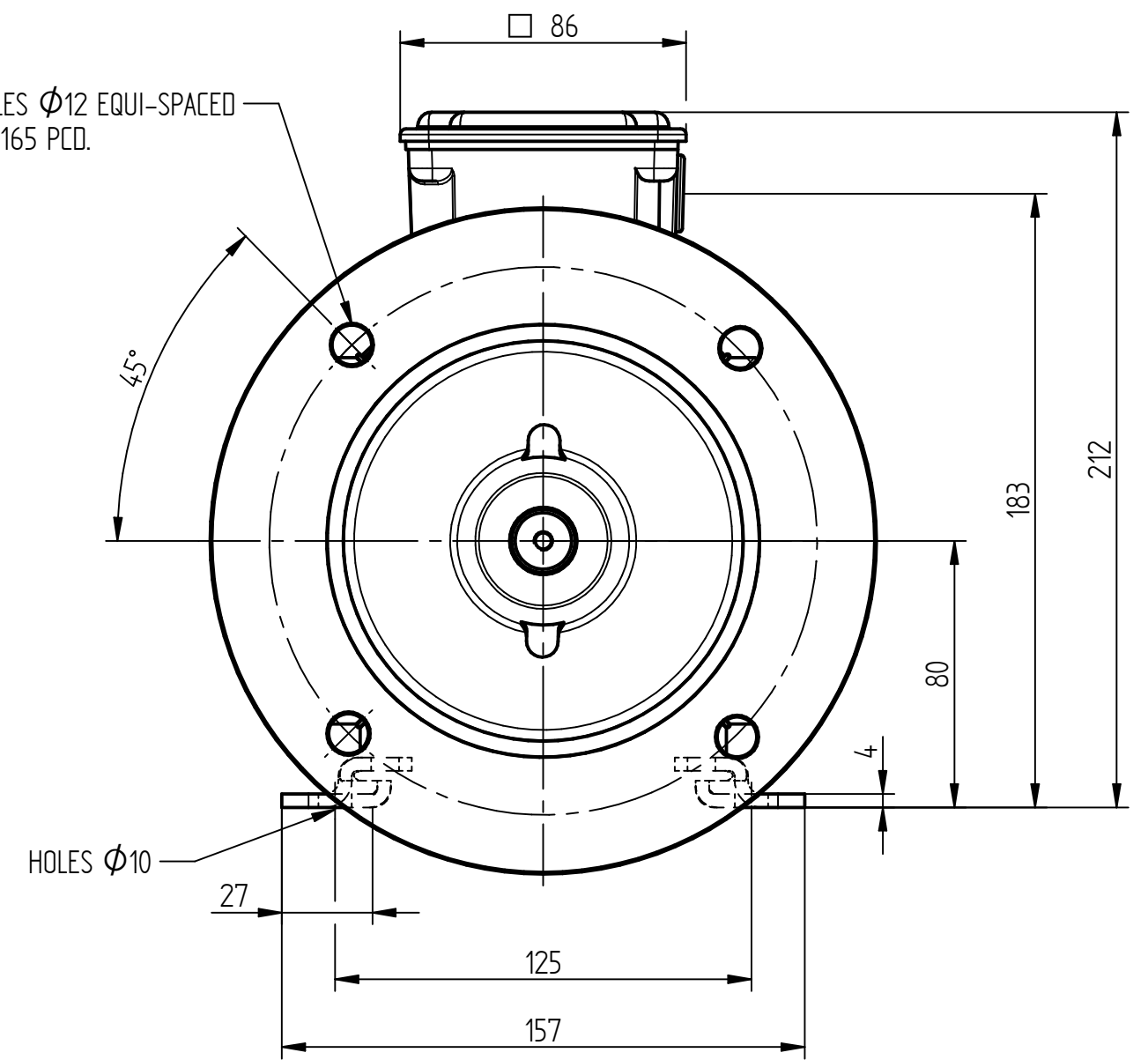


4 HOLES $\phi 12$ EQUI-SPACED ON A 165 PCD.



TERMINAL BOX POSITION:
 - CAN BE ARRANGED AT EITHER 9, 12 OR 3 O`CLOCK.
 - STANDARD TERMINAL BOX POSITION IS 12 O`CLOCK AS SHOWN.
 CONDUIT ENTRIES:
 - TERMINAL BOX CAN BE ROTATED AT 90° INTERVALS.

ALL MOUNTING DIMENSIONS: ISO 2768-mK ACC TO EN 22768-1/2

ALL DIMENSIONS IN MILLIMETERS	
FIRST ANGLE PROJECTION	
BROOK CROMPTON	
Produced by ATB Tamel S.A. a company of	
DRG. No.	WP-DA80M B35
DRG. REF.	
REVISION:	DATE:

SHEET SIZE
A3

TITLE:
OUTLINE DIMENSION DRAWING TOTALLY ENCLOSED FAN COOLED WP-DA80M FRAME D FLANGE AND FOOT MOUNTED MOTOR

	NAME	DATE
DRAWN	RG	26-04-19
CHECKED		
SCALE	1:2	