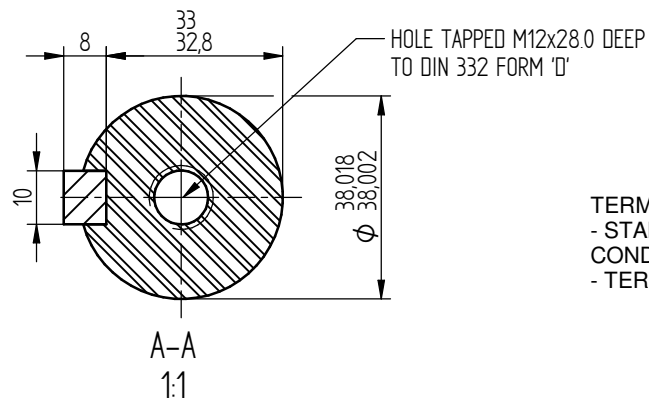


4 HOLES $\phi 14,5$
ON A 265 PCD.



TERMINAL BOX POSITION:- CAN BE ARRANGED AT EITHER 9, 12 OR 3 O'CLOCK.
- STANDARD TERMINAL BOX POSITION IS 12 O'CLOCK AS SHOWN.
CONDUIT ENTRIES:
- TERMINAL BOX CAN BE ROTATED AT 90° INTERVALS

ALL MOUNTING DIMENSIONS: ISO 2768-mK ACC TO EN 22768-1/2

ALL DIMENSIONS IN MILLIMETERS



FIRST ANGLE
PROJECTION

**BROOK
CROMPTON**

Produced by **Tamel** a company of **ATB**
ELECTRIC MOTORS Technology in Motion

SHEET
SIZE

A3

TITLE: OUTLINE DIMENSIONS DRAWING TOTALLY ENCLOSED FAN COOLED
WP-DA132SX FRAME D FLANGE MOUNTED MOTOR.

	NAME	DATE
DRAWN	SZ	26-04-19
CHECKED	RG	26-04-19
SCALE	1:3	

DRG. No. WP-DA132SX B5

DRG. REF.

REVISION: DATE