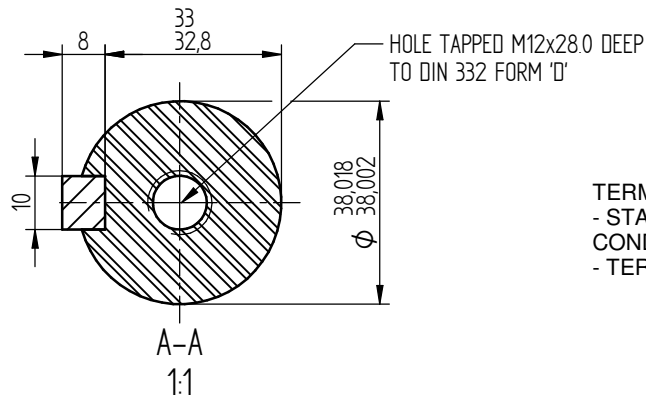


4 HOLES  $\phi 14,5$   
ON A 265 PCD.



TERMINAL BOX POSITION:- CAN BE ARRANGED AT EITHER 9, 12 OR 3 O'CLOCK.  
- STANDARD TERMINAL BOX POSITION IS 12 O'CLOCK AS SHOWN.  
CONDUIT ENTRIES:  
- TERMINAL BOX CAN BE ROTATED AT 90° INTERVALS

ALL MOUNTING DIMENSIONS: ISO 2768-mK ACC TO EN 22768-1/2

ALL DIMENSIONS IN MILLIMETERS



FIRST ANGLE  
PROJECTION

**BROOK  
CROMPTON**

Produced by **Tamel** a company of **ATB**  
ELECTRIC MOTORS Technology in Motion

SHEET SIZE: **A3**  
TITLE: **OUTLINE DIMENSIONS DRAWING TOTALLY ENCLOSED FAN COOLED WP-DA132MX FRAME D FLANGE MOUNTED MOTOR.**

	NAME	DATE
DRAWN	SZ	26-04-19
CHECKED	RG	26-04-19
SCALE	1:3	

DRG. No. WP-DA132MX B5

DRG. REF.

REVISION: DATE