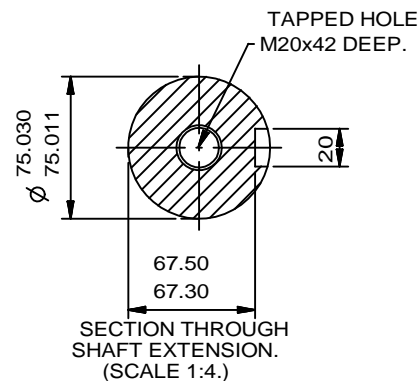
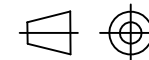


NOTE!  
CABLE ENTRY CAN BE SUPPLIED  
IN ANY ONE OF FOUR POSITIONS  
AT 90° INTERVALS.

NOTE!  
STANDARD MACHINES ARE ARRANGED FOR HORIZONTAL OVERHUNG MOUNTING.  
CUSTOMERS SHOULD NOTIFY US WHEN ORDERING IF VERTICAL MOUNTING IS  
REQUIRED. IF VERTICAL, THE MOTOR THRUST BEARING MUST NOT BE ALLOWED  
TO TAKE ANY LOAD OTHER THAN THE WEIGHT OF THE ROTOR WITHOUT OUR APPROVAL.



ALL DIMENSIONS IN MILLIMETRES



FIRST ANGLE  
PROJECTION

**BROOK  
CROMPTON**

Produced by **Tamel s.a.** a company of **NTB**  
Technology in Motion

DRG. No. **M20813**

DRG. REF.

REVISION:      DATE

SHEET  
SIZE

A3

NOTE!  
2.5 ENDPLAY WILL BE PROVIDED FOR ENDTHRUST  
PROTECTION WHEN CUSTOMERS NOTIFY US OF THEIR  
INTENTION TO USE RIGID COUPLINGS AND DRIVEN  
MACHINES WITHOUT ENDPLAY.

TITLE

OUTLINE DIMENSIONS OF STANDARD FLANGE MOUNTED METRIC  
A.C. MOTOR. TOTALLY ENCLOSED FAN VENTILATED.  
FRAME SIZE: W-DF355M-D (2 POLE ONLY.)

	NAME	DATE
DRAWN	JM	19-10-10
CHECKED	KC	19-10-10
SCALE	1:10	