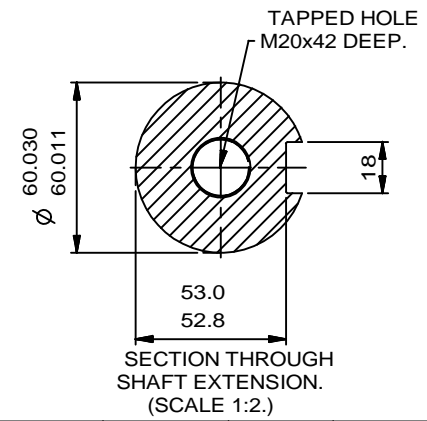


THIS LIFTING LUG FITTED ONLY WHEN MOTOR IS VERTICALLY MOUNTED.

NOTE!
CABLE ENTRY CAN BE SUPPLIED IN ANY ONE OF FOUR POSITIONS AT 90 ° INTERVALS.

NOTE!
STANDARD MACHINES ARE ARRANGED FOR HORIZONTAL OVERHUNG MOUNTING. CUSTOMERS SHOULD NOTIFY US WHEN ORDERING IF VERTICAL MOUNTING IS REQUIRED. IF VERTICAL, THE MOTOR THRUST BEARING MUST NOT BE ALLOWED TO TAKE ANY LOAD OTHER THAN THE WEIGHT OF THE ROTOR WITHOUT OUR APPROVAL.



SECTION THROUGH SHAFT EXTENSION. (SCALE 1:2.)

ALL DIMENSIONS IN MILLIMETRES	
	FIRST ANGLE PROJECTION
BROOK CROMPTON	
Produced by Tamel s.a. a company of ATB <small>Technology in Motion</small>	
DRG. No.	M8787
DRG. REF.	
SCALE	N.T.S.
REVISION:	DATE:

SHEET SIZE A3	NOTE! 2.5" ENDPLAY WILL BE PROVIDED FOR ENDTHRUST PROTECTION WHEN CUSTOMERS NOTIFY US OF THEIR INTENTION TO USE RIGID COUPLINGS AND DRIVEN MACHINES WITHOUT ENDPLAY.
	TITLE OUTLINE DIMENSIONS OF STANDARD FLANGE MOUNTED METRIC A.C. MOTOR. TOTALLY ENCLOSED FAN VENTILATED. FRAME SIZE: W-DF225S-D (4 POLE UP.)

NAME	DATE
DRAWN JM	19-10-10
CHECKED KC	19-10-10
SCALE	N.T.S.