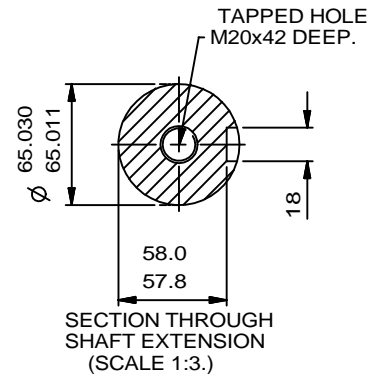
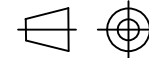


NOTE:-
 TERMINAL BOX CAN BE MOUNTED
 (LEFT OR RIGHT) BY REFITTING FEET
 AND LIFTING LUGS 90° IN APPROPRIATE
 DIRECTIONS. CABLE ENTRY CAN BE
 SUPPLIED IN ANY ONE OF FOUR
 POSITIONS AT 90° INTERVALS.



ALL DIMENSIONS IN MILLIMETRES



FIRST ANGLE
 PROJECTION

**BROOK
 CROMPTON**

Produced by *Tamel s.p.a.* a company of **ATB**
Technology in Motion

DRG. No. **M9122**

DRG. REF.

REVISION: DATE

SHEET
 SIZE

A3

NOTE!
 2.5 ENDPLAY WILL BE PROVIDED FOR ENDTHRUST
 PROTECTION WHEN CUSTOMERS NOTIFY US OF THEIR
 INTENTION TO USE RIGID COUPLINGS AND DRIVEN
 MACHINES WITHOUT ENDPLAY.

TITLE OUTLINE DIMENSIONS OF STANDARD FOOT/FLANGE MOUNTED METRIC
 A.C. MOTOR. TOTALLY ENCLOSED FAN VENTILATED.
 FRAME SIZE: W-DF315S-H (2 POLE ONLY.)

	NAME	DATE
DRAWN	JM	01-10-10
CHECKED	KC	01-10-10
SCALE	1:8	