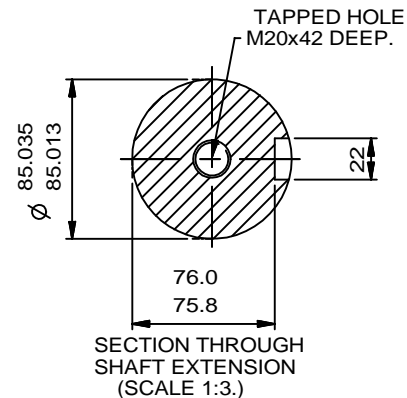


NOTE:-
 TERMINAL BOX CAN BE MOUNTED
 (LEFT OR RIGHT) BY REFITTING FEET
 AND LIFTING LUGS 90° IN APPROPRIATE
 DIRECTIONS. CABLE ENTRY CAN BE
 SUPPLIED IN ANY ONE OF FOUR
 POSITIONS AT 90° INTERVALS.



ALL DIMENSIONS IN MILLIMETRES	
	FIRST ANGLE PROJECTION
BROOK CROMPTON	
Produced by <i>Tamel S.A.</i> a company of ATB	
DRG. No.	M9125
DRG. REF.	
REVISION:	DATE

SHEET
 SIZE
A3

NOTE!
 2.5 ENDPLAY WILL BE PROVIDED FOR ENDTHRUST PROTECTION WHEN CUSTOMERS NOTIFY US OF THEIR INTENTION TO USE RIGID COUPLINGS AND DRIVEN MACHINES WITHOUT ENDPLAY.

TITLE
 OUTLINE DIMENSIONS OF STANDARD FOOT/FLANGE MOUNTED METRIC A.C. MOTOR. TOTALLY ENCLOSED FAN VENTILATED. FRAME SIZE: W-DF315M-H (4 POLE UP.)

	NAME	DATE
DRAWN	JM	18-10-10
CHECKED	KC	18-10-10
SCALE	1:9	