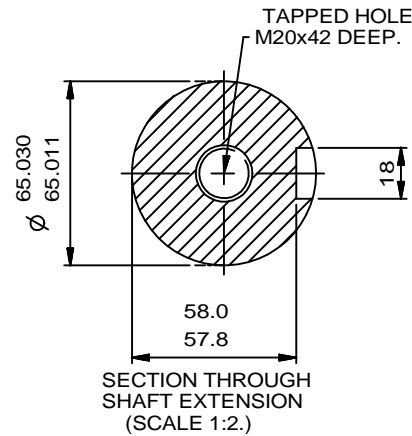
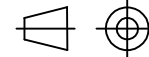


4 HOLES FOR M24 BOLTS.



NOTE:
 TERMINAL BOX CAN BE MOUNTED (LEFT OR RIGHT) BY REFITTING FEET AND LIFTING LUGS 90° IN APPROPRIATE DIRECTIONS. CABLE ENTRY CAN BE SUPPLIED IN ANY ONE OF FOUR POSITIONS AT 90° INTERVALS.

ALL DIMENSIONS IN MILLIMETRES



FIRST ANGLE PROJECTION

BROOK CROMPTON

Produced by **Tamel s.a.** a company of **ATB** Technology in Motion

DRG. No.	M9126
DRG. REF.	
REVISION:	DATE

SHEET SIZE
A3

NOTE!
 2.5 ENDPLAY WILL BE PROVIDED FOR ENDTHRUST PROTECTION WHEN CUSTOMERS NOTIFY US OF THEIR INTENTION TO USE RIGID COUPLINGS AND DRIVEN MACHINES WITHOUT ENDPLAY.

TITLE OUTLINE DIMENSIONS OF STANDARD FOOT/FLANGE MOUNTED METRIC A.C. MOTOR. TOTALLY ENCLOSED FAN VENTILATED. FRAME SIZE: W-DF315L-H (2 POLE ONLY.)

	NAME	DATE
DRAWN	JM	18-10-10
CHECKED	KC	18-10-10
SCALE	1:9	