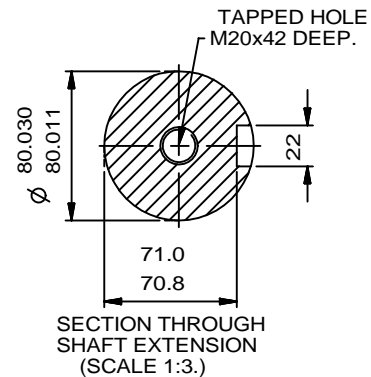
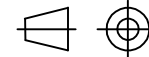


NOTE:
 TERMINAL BOX CAN BE MOUNTED
 (LEFT OR RIGHT) BY REFITTING FEET
 AND LIFTING LUGS 90° IN APPROPRIATE
 DIRECTIONS. CABLE ENTRY CAN BE
 SUPPLIED IN ANY ONE OF FOUR
 POSITIONS AT 90° INTERVALS.



ALL DIMENSIONS IN MILLIMETRES



FIRST ANGLE
 PROJECTION

**BROOK
 CROMPTON**

Produced by **Tamel s.a.** a company of **ATB**
Technology in Motion

DRG. No. **M9121**

DRG. REF.

REVISION:

DATE

	NAME	DATE
DRAWN	JM	18-10-10
CHECKED	KC	18-10-10
SCALE	1:8	

TITLE
 OUTLINE DIMENSIONS OF STANDARD FOOT/FLANGE MOUNTED METRIC
 A.C. MOTOR. TOTALLY ENCLOSED FAN VENTILATED.
 FRAME SIZE: W-DF280M-H (4 POLE UP.)

NOTE!
 2.5 ENDPLAY WILL BE PROVIDED FOR ENDTHRUST
 PROTECTION WHEN CUSTOMERS NOTIFY US OF THEIR
 INTENTION TO USE RIGID COUPLINGS AND DRIVEN
 MACHINES WITHOUT ENDPLAY.

SHEET
 SIZE
A3