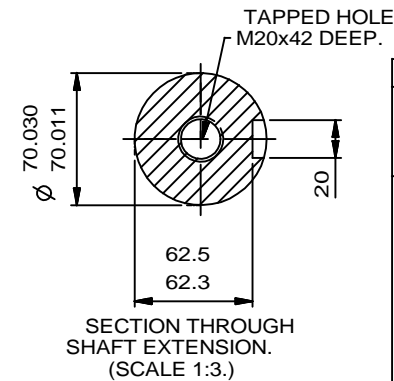
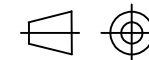


NOTE:-
 TERMINAL BOX CAN BE MOUNTED
 (LEFT OR RIGHT) BY REFITTING FEET
 AND LIFTING LUGS 90 ° IN APPROPRIATE
 DIRECTIONS. CABLE ENTRY CAN BE
 SUPPLIED IN ANY ONE OF FOUR
 POSITIONS AT 90 ° INTERVALS.



ALL DIMENSIONS IN MILLIMETRES



FIRST ANGLE
 PROJECTION

**BROOK
 CROMPTON**

Produced by **Tamel S.A.** a company of **ATB**
Technology in Motion

DRG. No. **M8665**

DRG. REF.

REVISION: DATE

| | NAME | DATE |
|---------|------|----------|
| DRAWN | JM | 18-10-10 |
| CHECKED | KC | 18-10-10 |
| SCALE | 1:7 | |

TITLE OUTLINE DIMENSIONS OF STANDARD FOOT/FLANGE MOUNTED METRIC
 A.C. MOTOR. TOTALLY ENCLOSED FAN VENTILATED.
 FRAME SIZE: W-DF250S-H (4 POLE UP.)

NOTE!
 2.5 ENDPLAY WILL BE PROVIDED FOR ENDTHRUST
 PROTECTION WHEN CUSTOMERS NOTIFY US OF THEIR
 INTENTION TO USE RIGID COUPLINGS AND DRIVEN
 MACHINES WITHOUT ENDTPLAY.

SHEET
 SIZE
A3