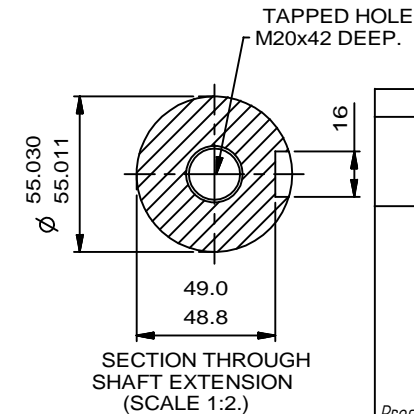


NOTE:
 TERMINAL BOX CAN BE MOUNTED
 (LEFT OR RIGHT) BY REFITTING FEET
 AND LIFTING LUGS 90° IN APPROPRIATE
 DIRECTIONS. CABLE ENTRY CAN BE
 SUPPLIED IN ANY ONE OF FOUR
 POSITIONS AT 90° INTERVALS.



ALL DIMENSIONS IN MILLIMETRES

FIRST ANGLE PROJECTION

BROOK CROMPTON

Produced by **Tamel s.a.** a company of **ATB** Technology in Motion

DRG. No.	M21611		
DRG. REF.			
REVISION:		DATE	

TITLE: OUTLINE DIMENSIONS OF STANDARD FOOT/FLANGE MOUNTED METRIC A.C. MOTOR TO DIN. STANDARD 42673 & 42677. TOTALLY ENCLOSED FAN VENTILATED. FRAME SIZE: WU-DF200LX-H (ALL POLES.)

	NAME	DATE
DRAWN	JM	01-11-10
CHECKED	KC	01-11-10
SCALE	1:6	

SHEET SIZE: A3

NOTE: 2.5 ENDPLAY WILL BE PROVIDED FOR ENDTHRUST PROTECTION WHEN CUSTOMERS NOTIFY US OF THEIR INTENTION TO USE RIGID COUPLINGS AND DRIVEN MACHINES WITHOUT ENDTPLAY.