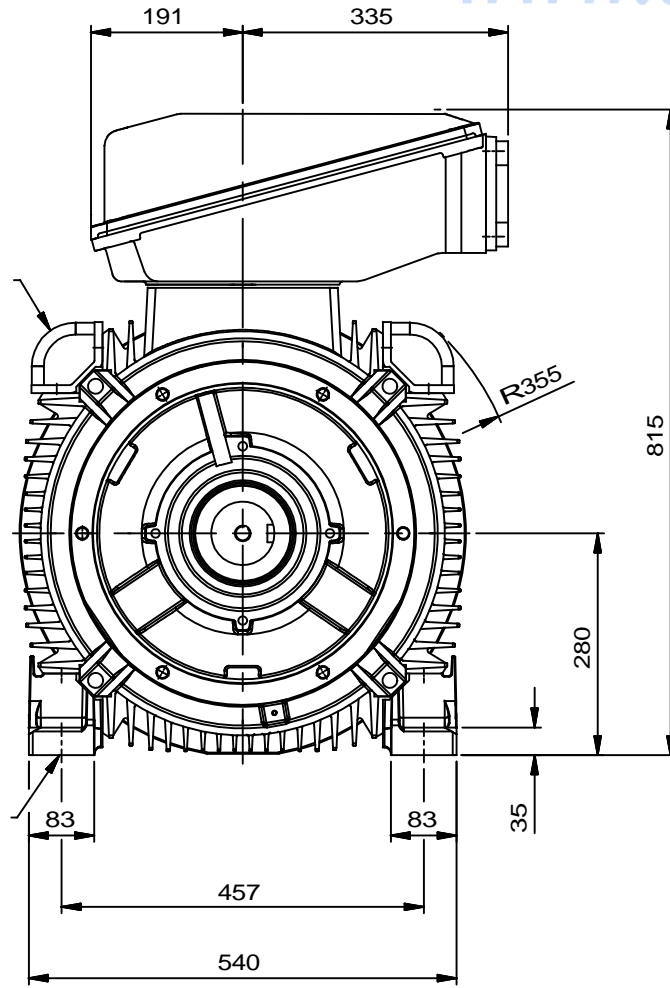
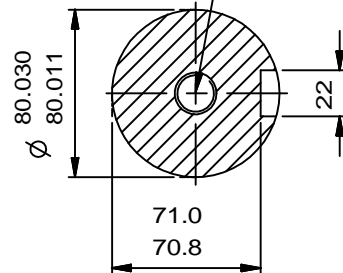


2 LIFTING LUGS
DIAGONALLY
OPPOSITE.



4 HOLES FOR
M20 BOLTS.

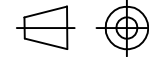
TAPPED HOLE
M20x42 DEEP.



SECTION THROUGH
SHAFT EXTENSION
(SCALE 1:3.)

NOTE:-
TERMINAL BOX CAN BE MOUNTED
(LEFT OR RIGHT) BY REFITTING FEET
AND LIFTING LUGS 90° IN APPROPRIATE
DIRECTIONS. CABLE ENTRY CAN BE
SUPPLIED IN ANY ONE OF FOUR
POSITIONS AT 90° INTERVALS.

ALL DIMENSIONS IN MILLIMETRES



FIRST ANGLE
PROJECTION

**BROOK
CROMPTON**

Produced by *Tamel s.a.* a company of **ATB**
Technology in Motion

SHEET
SIZE

A3

NOTE!
2.5 ENDPLAY WILL BE PROVIDED FOR ENDTHRUST
PROTECTION WHEN CUSTOMERS NOTIFY US OF THEIR
INTENTION TO USE RIGID COUPLINGS AND DRIVEN
MACHINES WITHOUT ENDPLAY.

TITLE
OUTLINE DIMENSIONS OF STANDARD FOOT MOUNTED METRIC
A.C. MOTOR. TOTALLY ENCLOSED FAN VENTILATED.
FRAME SIZE: W-DF280M (4 POLE UP.)

	NAME	DATE
DRAWN	JM	07-09-10
CHECKED	KC	07-09-10
SCALE	1:8	

DRG. No.	M9111		
DRG. REF.			
REVISION:		DATE	